

# CLOSED RACK

## ▼ Description

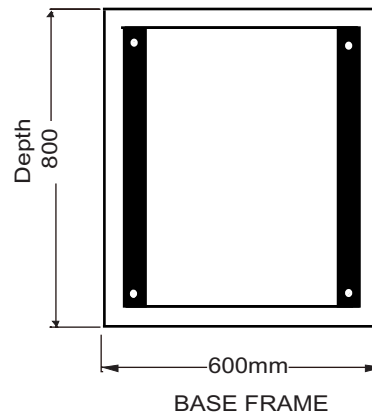
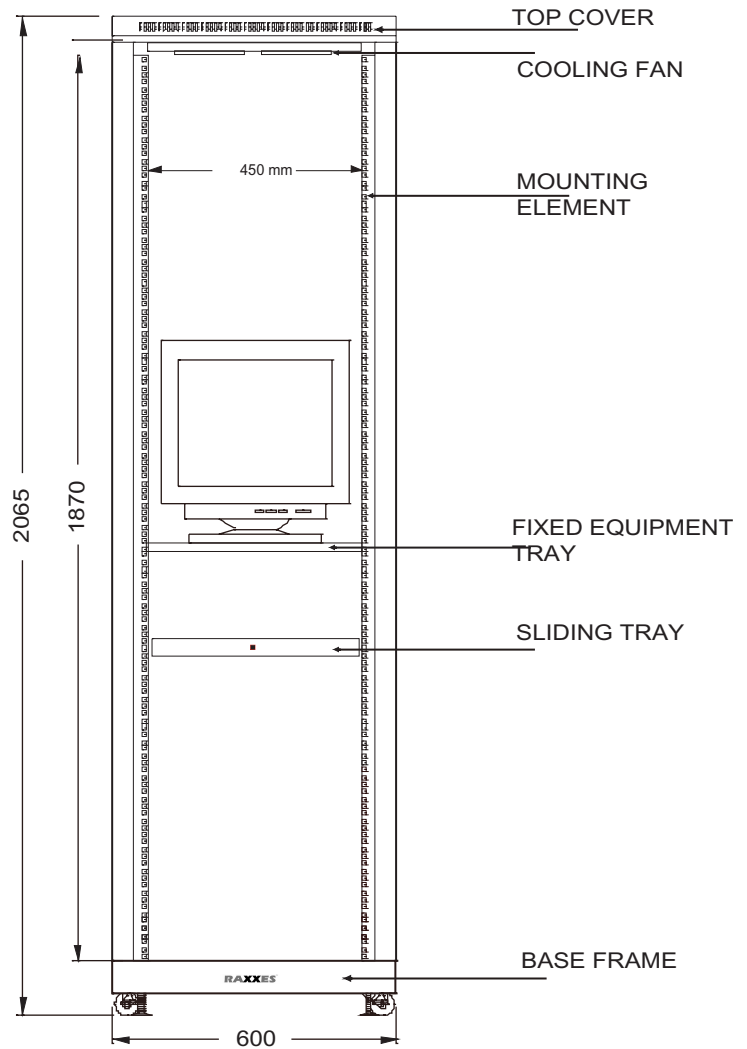
The closed rack is rated for a static load of 1000lbs of 19" or 24" rack mountable electronics, servers, panels, and cable management. These racks are constructed from high-quality aluminum and mild steel for maximum strength and weight savings.

## ▼ Advantages

- ¥ Standard EIA equipment mounting
- ¥ Best choice for various heights
- ¥ Supports 1000lbs static equipment load
- ¥ Heavy-duty base provides added support
- ¥ 19" and 24" rackable width
- ¥ Various depths available
- ¥ Easy shippable
- ¥ Full line of shelves and accessories available [please enquire]

## ▼ Packing List

- ¥ 1pc frame with top cover
- ¥ 2pcs side panel with lock
- ¥ 1pc front glass door with lock
- ¥ 1pc vented rear door with lock
- ¥ 1pc power panel [points depends on rack size]
- ¥ 4pcs castor wheel with adjustable feet
- ¥ 2pc cooling fan
- ¥ 1pc base frame
- ¥ 1 set cagenut and screws
- ¥ 1pc fixed equipment tray



CLOSED RACK					
PART #	SIZE	DEPTH	DEPTH	DEPTH	FRAME
RA12U19X55X6	12U	550mm	N/A	N/A	19"
RA15U19X55X6	15U	550mm	N/A	N/A	19"
RA20U19XdepthX6	20U	800mm	1000mm	1200mm	19"
RA28U19XdepthX6	28U	800mm	1000mm	1200mm	19"
RA33U19XdepthX6	33U	800mm	1000mm	1200mm	19"
RA39U19XdepthX6	39U	800mm	1000mm	1200mm	19"
RA42U19XdepthX6	42U	800mm	1000mm	1200mm	19"
RA45U19XdepthX6	45U	800mm	1000mm	1200mm	19"
RA42U24XdepthX8	42U	800mm	1000mm	1200mm	24"
RA45U24XdepthX8	45U	800mm	1000mm	1200mm	24"

Part number is read as follows RA -size-frameXdepthXouter frame  
 19" frame has an outer depth of 600mm  
 24" frame has an outer depth of 800mm

Image shown is of Raxxes 19" 42U 800mm closed rack



www.raxxesglobal.com