

OPEN RACK

▼ Description

The heavy-duty mild steel open rack is rated for a static load of 500lbs of 19" rack mountable electronics, panels, cable management and power strips. These racks are constructed from high-quality mild steel for maximum strength.

▼ Advantages

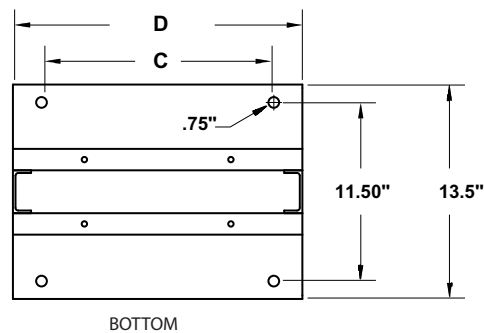
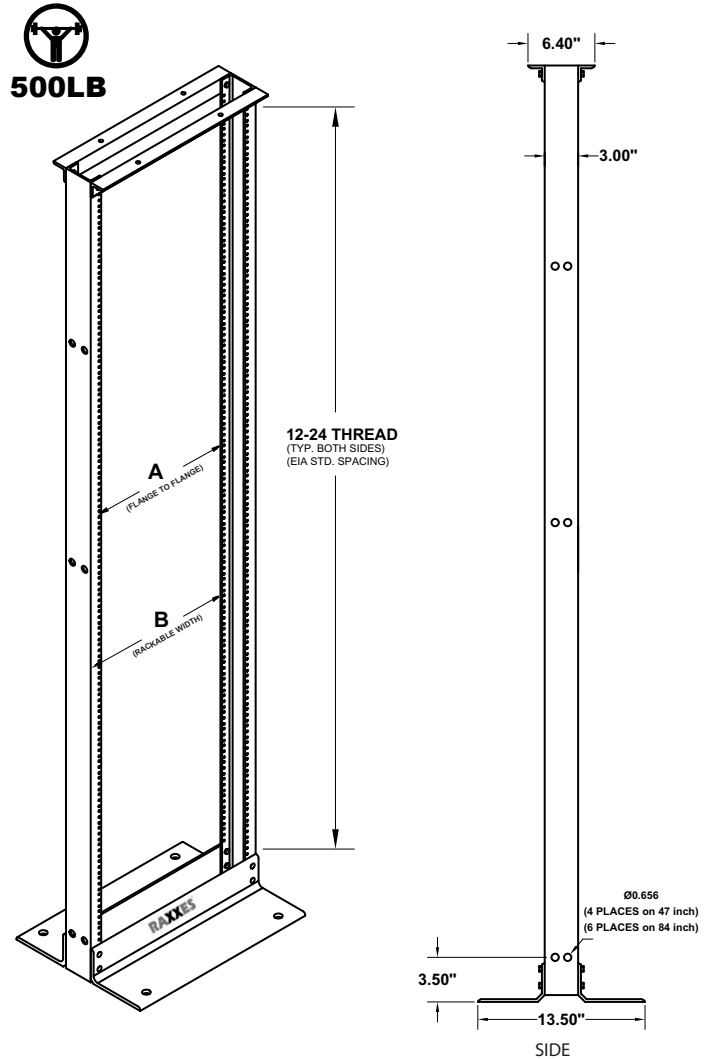
- ¥ Standard EIA equipment mounting
- ¥ Best choice for standard 47 inch and 84 inch heights
- ¥ Supports 500lbs static equipment load
- ¥ Heavy-duty base angle provides added support
- ¥ 19" rackable width
- ¥ Heavy duty, mild steel with black finish
- ¥ Easy shippable, one carton
- ¥ Easily assembled, screws and bolts included
- ¥ Easily expandable horizontally
- ¥ Full line of shelves and accessories available [please enquire]
- ¥ Other heights available [please enquire]

▼ Packing List

- ¥ Heavy-duty steel extrusion uprights - 2 units
- ¥ Base angles - 2 units
- ¥ Top cross angles - 2 units
- ¥ #12-24 screws - 25 units for 47 inch and 50 units for 84 inch
- ¥ Nuts and Bolts - 12 units

19" - 47" OPEN RACK			
PART #	HEIGHT	RACKABLE WIDTH	COLOR
RA47"X19"	47 inch	19 inch	Black

19" - 84" OPEN RACK			
PART #	HEIGHT	RACKABLE WIDTH	COLOR
RA84"X19"	84 inch	19 inch	Black



RACKABLE WIDTH	DIMENSION KEY			
	A	B	C	D
19" RACKABLE	17 3/4"	18 5/8"	16"	20"

RAXXES
www.raxxesglobal.com

Image shown is of Raxxes 84" open rack